

JUVE PEDIATRIC SPINAL SYSTEM



Juve Pedicular Hook



Juve Laminar Hook

All Juve Hooks have 4 different size variations, Small, Medium, Large and Extra Large.



Juve Angled Hook



Juve Laminar Hook Offset

Porthos Ø3mm Titanium Rod

Porthos Laminar Hook

Porthos Posterior Cervical Screw

Juve Monoaxial Screw

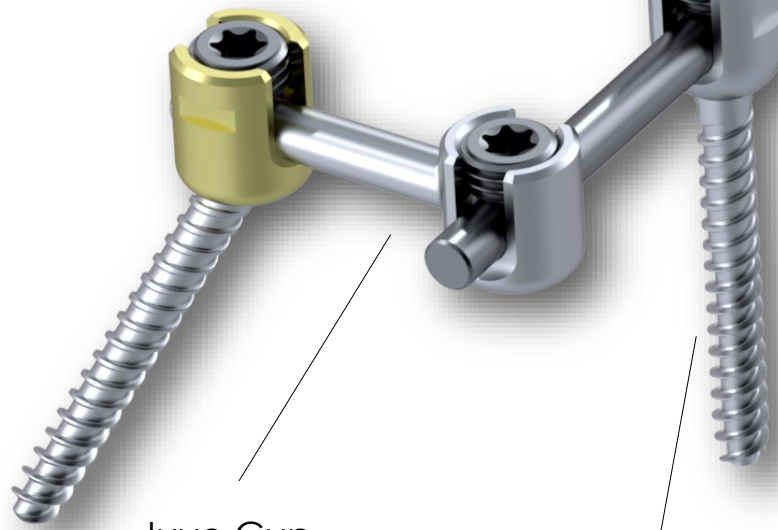
Juve Monoaxial Screws has the smallest cup sizes compared to other screws used in the same area.

Juve Double Cup Connector

The Juve Double Cup Connector allows connection between two parallel rods.

Juve Polyaxial Reduction Screw

Juve screws offer high pull out strength due to its special thread design.



Juve Cup Lateral Connector

Juve Monoaxial Reduction Screw

The rod diameter of the Juve Monoaxial Reduction Screw is 4.5 mm. The smallest screw starts from 20 mms and goes up to 75 mms increasing by 5 mms for each size.

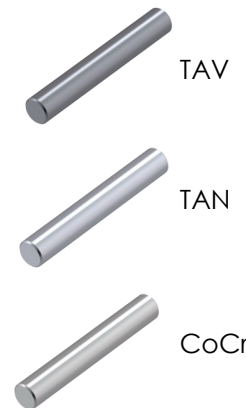
Juve Polyaxial Screw

The rod diameter of the Juve Polyaxial Screws are 4.5 mm. The cup sizes of Juve are smaller compared to other systems.



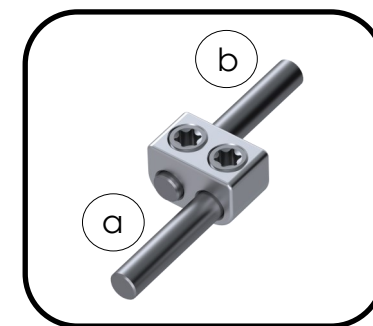
Similar systems are %27 bigger

Juve Ø4.5mm Rod Material Options



Transverse Hook Connector

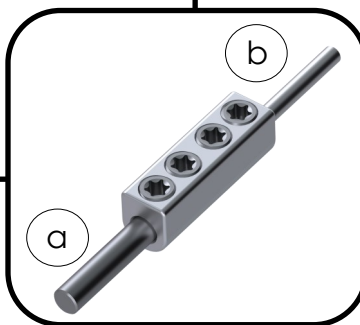
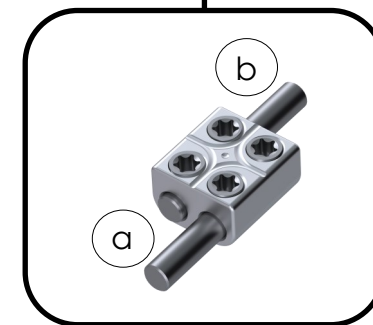
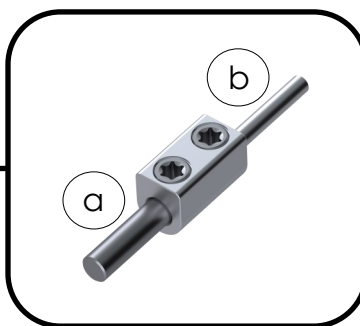
Porthos Transverse Connector



Juve Domino Connectors

Allows connection between two parallel rods. Juve Domino Connectors enable connection between different rod sizes.

Rod Diameter	a	b
	4.5 mm - 3 mm	(Porthos)
	4.5 mm - 4.5 mm	(Juve)
	4.5 mm - 5.5 mm	(Osi)
	4.5 mm - 6 mm	(Onplus)



www.osimplant.com.tr

JUVE
Pediatric
Spinal System

HEADQUARTER
Osimplant Medical Materials
İlkbahar Ave. Galip Erdem
St.(571. St.) No:47, 06550
Çankaya/Ankara, Turkey
P: +90 312 473 82 80 -473 22 80
F: +90 312 473 81 90
sales@osimplant.com.tr

FACTORY
İkitelli O.S.B.14. St. Mutfakçılar
Industrial Site, 4 Block No:47
İkitelli/İstanbul, Turkey
P: + (90) 212 485 40 32
F: + (90) 212 485 40 34
info@bonimplant.com.tr



OSIMPLANT
Spine Restoration Technology